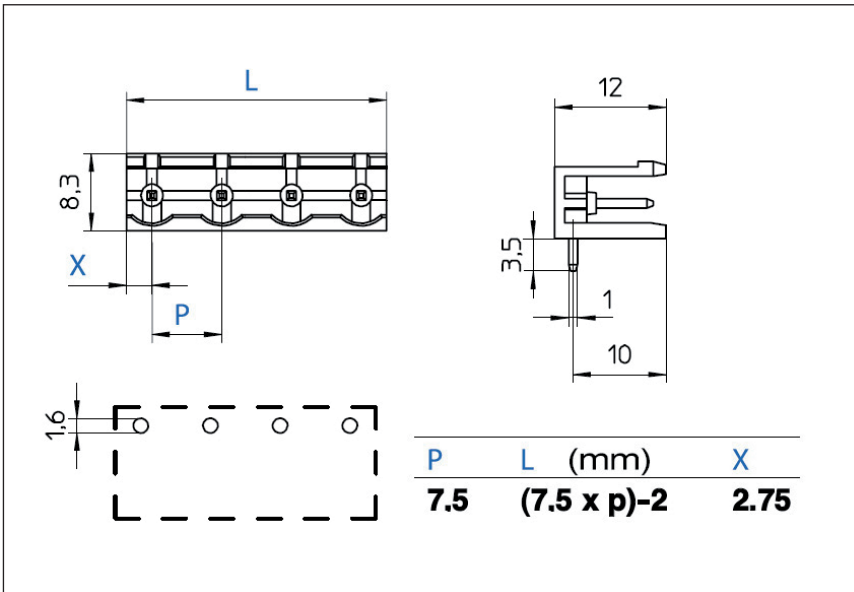


Standard Pluggable PCB Terminal Block Header, Horizontal Header, Open End CPM7.5-SQA

The CPM family of printed circuit board headers is used with the CPF and MRT3 pluggable terminal blocks. The CPM is available in both a vertical and 90 degree version and with either open or closed ends. A feature of the CPM header is the molded-in polarization that insures proper mating of the plug. The CPM headers are available in 2 to 12 positions and have a UL rating of 12 amps, 300 volts. The standard color is green, however other colors are available upon request.

SPECIFICATIONS

Housing Material:	PA68 Polyamide, Flammable UL94V0
Housing Color:	Green
Pin:	Tin Plated Brass
PCB Mounting Hole:	1.6 mm
Nominal Current:	12A
Voltage:	300V
Temperature Range:	-30° C to 85° C



Item	No. of Poles	Length (mm)
CPM7.5-SQA	2	13
CPM7.5-SQA	3	20.5
CPM7.5-SQA	4	28
CPM7.5-SQA	5	35.5
CPM7.5-SQA	6	43
CPM7.5-SQA	7	50.5
CPM7.5-SQA	8	58
CPM7.5-SQA	9	65.5
CPM7.5-SQA	10	73
CPM7.5-SQA	11	80.5
CPM7.5-SQA	12	88